

# OERTLI

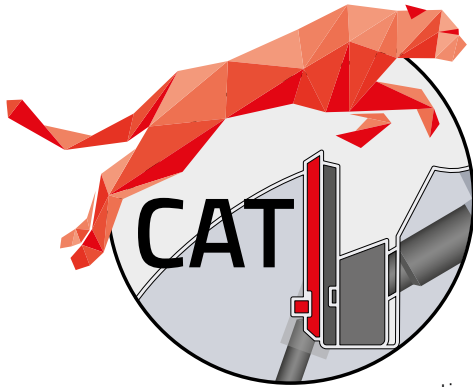
Excellence in solid wood

## **OERTLI CAT** Centrifugal Applied Technology



# Why OERTLI CAT™ is optimising also your production:

**One knife system for the fastest, most simple and most comfortable tooling system.**



The cheetah symbolizes OERTLI tools perfectly for good reason: The fastest animal on land demonstrates a perfectly aligned, harmonious system. Maximum speeds of this biomechanical system of up to 120 km/h (75 mph) can only be reached with perfectly balanced features. The CAT system is designed for existing machinery and the future development of high speed machine motors and machines.

An OERTLI tool solution is also an optimally aligned complete system. OERTLI develop tool solutions according to requirements. Tool sets are designed and balanced at far higher levels than required by the European norms enabling faster machine feed speeds without a compromise on finished timber quality and giving reduced stress on machine motors. The revolutionary knife system "CAT" sets a new level for even higher performing tool solutions for the production of windows and doors.

## **Cooperating with natural forces instead of fighting against them ...**

CAT stands for Centrifugal Applied Technology. We make use of the natural centrifugal forces instead of fighting against them, as other knife systems do. With speeds up to 120 m/s the tools experience forces of several tons. Why fight against these forces with high torque clamping systems if we could make use of those forces to assist the clamping?



# CAT – the fastest knife seat in the industry

A completely new technology with greater efficiency thanks to time saving and flexibility – and on every woodworking machine.

## Faster use

- Cutting speed up to 120 m/s for maximum feed rates
- Perfect surface with high feed rate thanks to optionally profiled chip breakers
- Minimal machine downtime thanks to the longest ever tool life with new knives
- Faster knife changes with precise, supported knife positioning

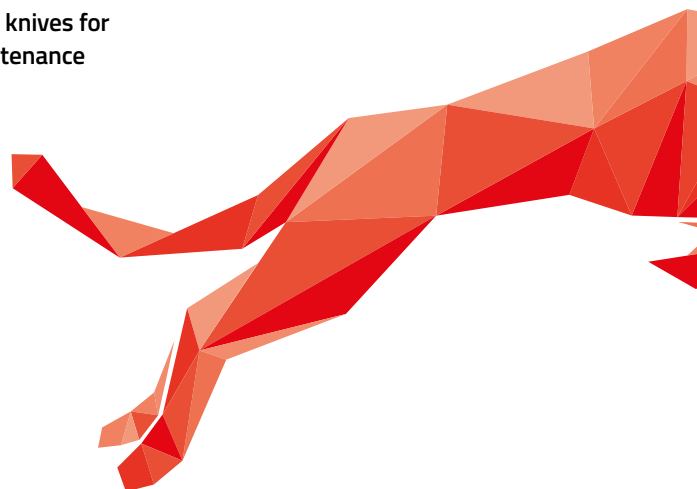
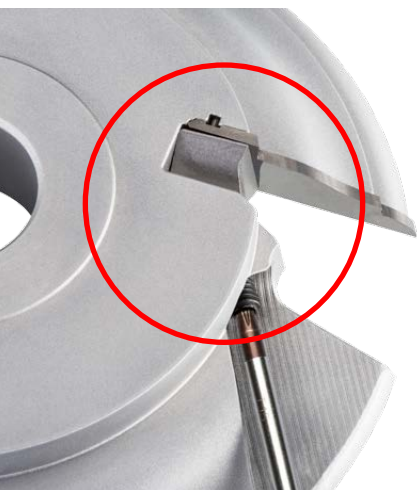
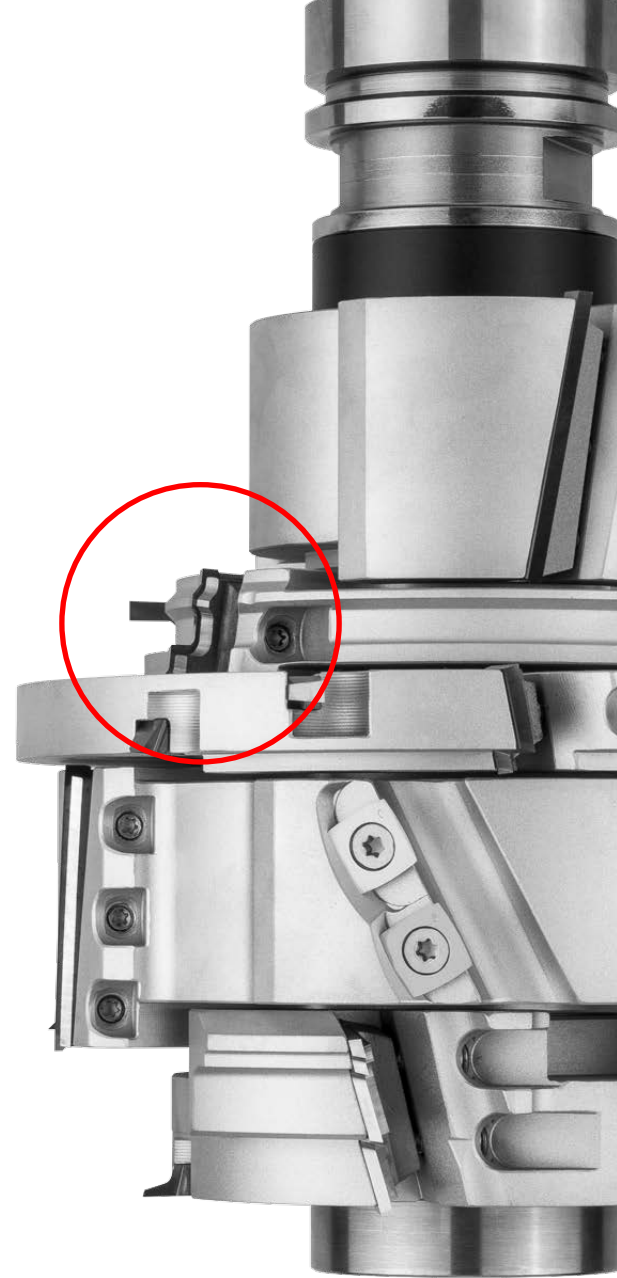
## Faster upkeep

- Screws are easily accessible – regardless of the shear cut angle
- Convenient fixing with minimal effort of just 6 Nm
- Secure and comfortable interlocking positioning
- Fast and professional knife changes with no loose parts

## More economical

Time is money and with CAT your production is much more economical:

- Perfect surface thanks to optionally profiled chip breakers
- Minimal effort for finishing
- New, fully resharpenable OERTLI knives for longer tool life and reduced maintenance costs – for all types of wood



# CAT technology and its advantages



## Handling

---

### Features

- Screws outside of the chip space
- Screws directly on the body, regardless of the shear cut angle
- Tightening torque just 6 Nm
- Knives interlock with pin
- Uniform force distribution thanks to pressure jaw on the knife
- Knife change without loose parts

### Technical advantages

- Low dirt build up and easy accessibility
- Easy to reach the screws in the set
- Low effort
- Exact positioning
- Optimal clamping through even force distribution
- No loose parts

### What you'll gain

- **Simple, fast knife change**
- **Low fault risk and high profile accuracy**
- **No power loss with completely resharpened knives**



## Profiled chip breakers

---

### Features

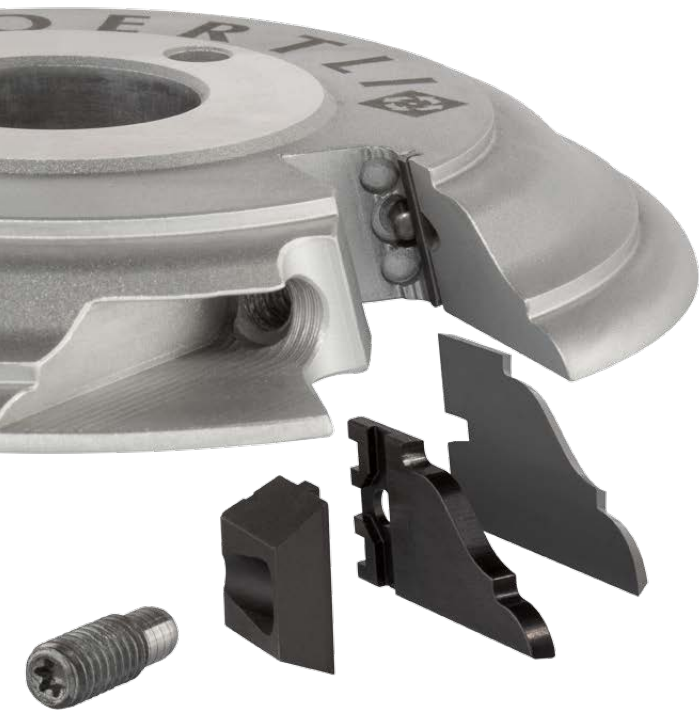
- Version with optional chip breakers
- Option to upgrade with chip breaker at a later date
- Seems like one piece thanks to magnetic connection

### Technical advantages

- Reduced presplitting thanks to the chip breaker adapted to the profile contour
- Improved chip ejection through greater distance between the pressure jaw and cutting edge

### What you'll gain

- **Improved cutting quality with lengthwise-cut wood**
- **Lower cutting pressure and long tool life with cross-cut wood**
- **Extremely flexible**
- **No „loose“ parts/simple handling**



## Knife

---

### Features

- Larger profile-able area
- Completely re-sharpening
- Different Carbide qualities depending on requirements

### Technical advantages

- Profile depth up to 25 mm
- Profile width up to 100 mm
- Up to max 0.2 mm face re-sharpenable to blade thickness of 1.8 mm
- Long tool life

### What you'll gain

- **Large coverage with one tool, resulting in savings on additional milling cutters**
  - **Low maintenance costs**
  - **Efficient**
- 



## Knife seat

---

### Features

- Interlocking clamping and positioning
- Compact assembly
- Low space requirements for knife seat
- Screws outside of the chip space

### Technical advantages

- Higher speed
- Cutting speed up to 120 m/s
- Can be combined with other knives
- Closed body form with minimal recesses
- Easily accessible for quick and neat cleaning

### What you'll gain

- **Increased productivity through higher feed rates with identical wave patterns**
  - **Economical cutting concept**
  - **Low noise levels through reduced turbulence**
  - **Low weight and high rotational speed**
  - **Simple, convenient handling**
-

**OERTLI Werkzeuge AG**

CH-8181 Höri  
T +41 44 863 75 11  
info@oertli.ch

**OERTLI gereedschappenfabriek bv**

NL-4941 VP Raamsdonksveer  
T +31 162 51 48 80  
oertli@oertli.nl

**OERTLI Werkzeuge GmbH**

A-6800 Feldkirch  
T +43 5522 75 78 70  
info@oertli.at

**OERTLI Werkzeug- und  
Maschinenhandels-GmbH**

D-73486 Adelmansfelden  
T +49 7963 84 19 00  
info@oertli-werkzeuge.de

**OERTLI Magyarország KFT**

H-8790 Zalaszetgrot  
T +36 83 56 00 05  
oertlikft@t-online.hu

**OERTLI Tooling UK Ltd**

LE19 4SA Leicester  
T +44 116 286 34 09  
info@oertli.co.uk

**OERTLI France**

F-21000 Dijon  
T +33 3 80 55 16 62  
info@oertli-outils.fr

**[www.oertli.com](http://www.oertli.com)**